

质量为本 顾客至上 规范管理 竭诚服务

Quality-oriented, Customer-oriented, Standardize  
management and serve wholeheartedly



上海嘉堃实业有限公司  
SHJK GROUP INC



01. Company Introduction

02. Main business Introduction

# Content





# PART 01

---

## 公司简介

Company Introduction

# Company information

Shanghai JiaKun Industrial Co., LTD is located in Shanghai Jiading district.

The main product is Electric Insulation Products, Auto tooling project online, Logistics automatic equipment and installation, Intelligent home appliance automation equipment, Car seat, Optical thin film, Electronic interconnecting material .

There are certificate as ISO9001:2015, ISO14001:2015, IATF16949:2016, OHSAS18000 and UL.

The company has a professional technical research and development team, production and operation team, supply chain team, personnel administration team and financial team.

We have established a factory in Malaysia to transfer part of the export business to the Malaysian factory due to avoid the US tariffs and possible export problems in the future.

- Factory area:
- Shanghai factory: 12000m<sup>2</sup>
- Taicang factory: 13000m<sup>2</sup>
- Malaysia factory: 5000m<sup>2</sup>



Shanghai factory

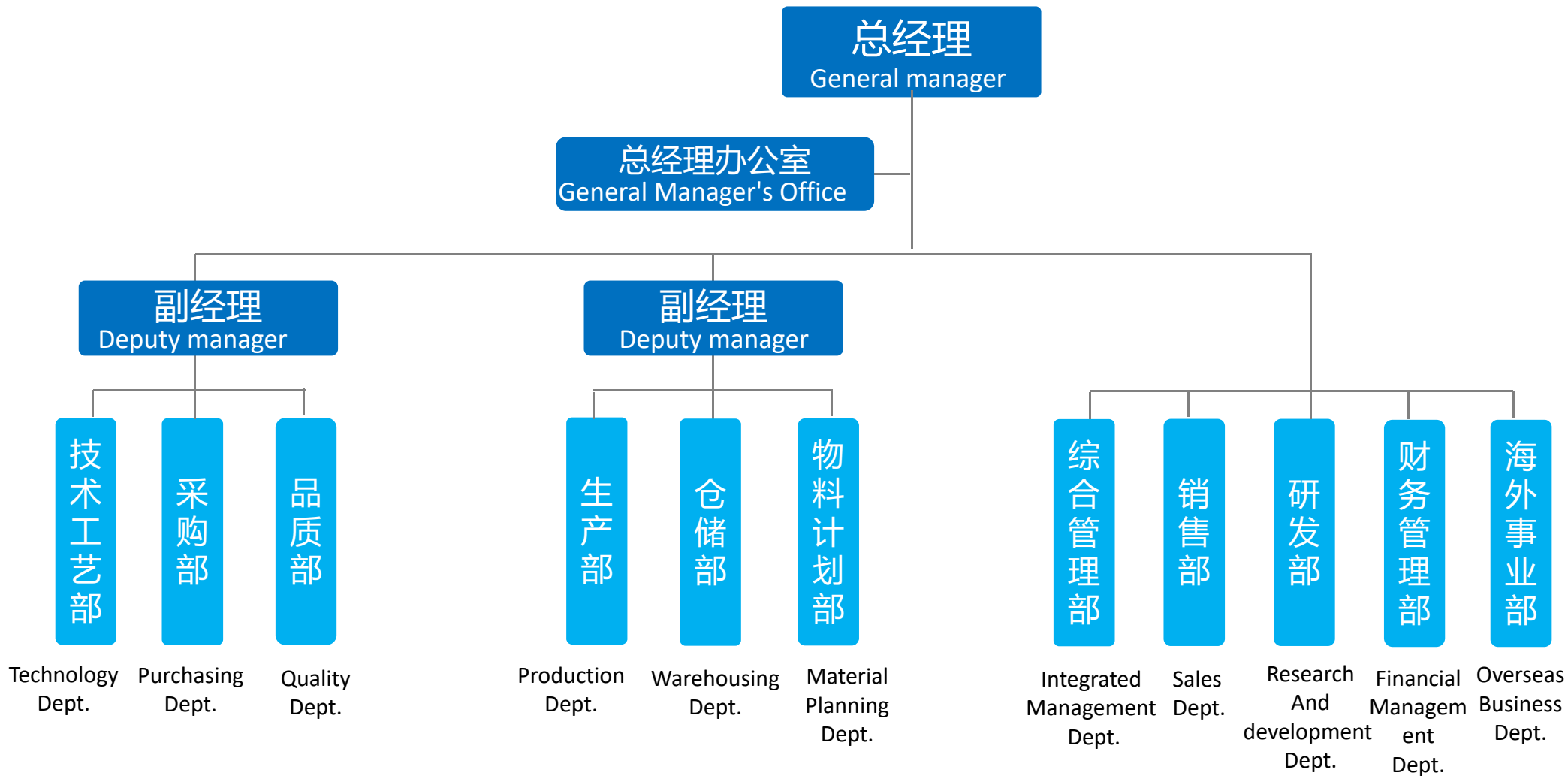


Taicang factory



Malaysia factory

# 组织架构 Organization Structure



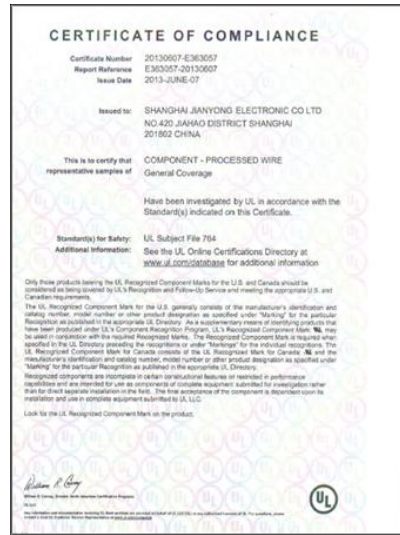
# 资质证书 Qualification Certificates



建筑业企业资质证书  
Construction Enterprise  
Qualification Certificate



ISO9001



UL



ISO14000



IATF16949:2016

# 专利证书 Letters patent

序号 Pos	专利号 Patent number	专利名称 Patent name	Patent name
1	ZL202010613578.X	一种用于带式输送机的传动机构（发明）	A driving mechanism for a belt conveyor (invention)
2	ZL202120457862.2	一种带有自动纠偏结构的输送机转动组件	The utility model relates to a conveyor rotating assembly with an automatic deviation correction structure
3	ZL202120457865.6	一种方便拆装维修的链式输送机	The utility model relates to a chain conveyor convenient for disassembly and maintenance
4	ZL202120457872.6	一种便于安装和拆卸的输送机焊接配件	The utility model relates to a conveyor welding accessory for easy installation and disassembly
5	ZL202120457887.2	一种用于钣金冲压件自动对位输送机	The utility model relates to an automatic alignment conveyor for sheet metal stamping parts
6	ZL202120471155.9	一种结构紧凑的旋转型链式输送机	A compact rotary chain conveyor
7	ZL202120671426.5	一种输送机焊接配件焊接用高效治具	The utility model relates to an efficient fixture for welding conveyor welding accessories
8	ZL202120671427.X	一种用于输送机钣金件的便携式焊接治具	The utility model relates to a portable welding tool for conveying sheet metal parts
9	ZL202120672103.8	一种便于组装和拆卸的输送机机架	A conveyor frame for easy assembly and disassembly
10	ZL202120687721.X	一种方便拆装更换的输送机钣金件	The utility model relates to a conveyor sheet metal part which is convenient for disassembly and replacement
11	ZL202123019839.4	一种物流运输用方便安装的推拉门滑槽	The utility model relates to a sliding door chute for convenient installation for logistics transportation
12	ZL202123020313.8	一种物流运输用汇合式滑槽	The utility model relates to a combined chute for logistics transportation
13	ZL202222591011.4	一种称重皮带输送机	A weighing belt conveyor
14	ZL202222657914.8	一种带式输送机压带装置	The utility model relates to a belt pressing device for a belt conveyor
15	ZL202222774369.0	可伸缩楔形带式输送机	Telescopic wedge belt conveyor
16	ZL201821655071.5	一种用于薄板零部件的柔性焊接定位装置	The invention relates to a flexible welding positioning device for thin plate parts
17	ZL202120457760.0	一种绝缘制品生产用装配式输送机焊接配件	The utility model relates to an assembly conveyor welding accessory for the production of insulating products
18	ZL202120457871.1	一种绝缘槽条加工用模具	The utility model relates to a mold for processing insulated groove strips
19	ZL202120457757.9	一种裁剪电机维修相间绝缘纸的装置	The utility model relates to a device for cutting interphase insulating paper for motor maintenance
20	ZL202120495984.0	一种方便安装的绝缘端子定位结构	The utility model provides an insulating terminal positioning structure for easy installation
21	ZL202120671520.0	一种方便填补间隙的绝缘保护套管	The utility model relates to an insulating protective sleeve which is convenient for filling gaps



JK have 1 invention patent and 20 utility model patents.

# 发展历程 Company History

2005

2009

2011

2017

2018

2019

2020

2022

2024

上海嘉堃成立

物流自动化设备项目

各类塑料件产品以及各类模具项目上线

成立 SHJK GROUP INC

通过 IATF16949 管理体系

项目现场安装服务成熟

太仓嘉堃成立

开设汽车座椅、光学膜、电联材料业务

马来西亚工厂开业

Establish Shanghai Jiakun Industrial Co., Ltd.

Logistics automation equipment

Injection molding products online

Establish SHJK GROUP INC

Achieve IATF16949 Management System

Complete site installation service

Establish Taicang Jiakun for sheet metal

Add new business as : Car seat, Optical thin film, Electronic interconnecting material

Establish for the Sunlive Technology

主营电机绝缘产品

Main Electric Insulation Products

汽车工装类项目上线

Auto tooling project online

## Company information

Taicang JiaKun Industrial Co., LTD is located in the Taicang city, Jiangsu province, China. 20 km from Shanghai factory. Mainly for the Shanghai factory supporting sheet metal and surface spraying. There are certifications such as ISO9001:2015.

- ◆ Factory area:12000m<sup>2</sup>
- ◆ Employee: 80 people



## 设备清单 Device list

序号 Pos	设备名称 Equipment Name	数量QTY
1	喷涂流水线 Spraying line	1
2	光纤激光切割机 Fiber laser cutting machine	2
3	真空应用设备*激光上料系统 Vacuum application equipment * Laser feeding system	2
4	机床*数控折弯机 Machine * CNC bending machine	1
5	数控液压板料折弯机 NC hydraulic press brake	3
6	螺柱焊机 stud welding machine	1
7	逆变气保焊机 Inverter gas welding machine	4

序号 Pos	设备名称 Equipment Name	数量QTY
8	氩弧焊 argon arc welding	7
9	平台电焊机 Platform welding machine	1
10	立式钻床 vertical driller	1
11	CNC转塔式电脑冲床 CNC turret computer punch	1
12	台式钻床 bench drilling machine	2
13	自动研磨机 Automatic grinding machine	1
14	自动压铆机 Automatic riveting machine	1



### 激光切割机/Laser Cutting Machine

2021年购入并投入使用2台激光切割机。

2 laser cutting machines bought and installed in 2021.

- 品牌/Brand - 迪能/DNE
- 型号/Mode - D SOLAR 3000 & 6000
- 技术参数/Technical Specifications - 如下/see below

机器型号	D_Solar
激光发生器	光纤激光器
切割行程	2060 / 2560 / 2580
激光功率	8000W / 10000W / 12000W / 15000W
切割速度	视材质及厚度而定
重复定位精度	±0.03mm
整机耗电功率	<115kw / <90kw / <80kw / <60kw
电力需求	380V/50Hz/60Hz/60A
占地外形尺寸	16500x5500mm (以行程2000x6000mm为例)

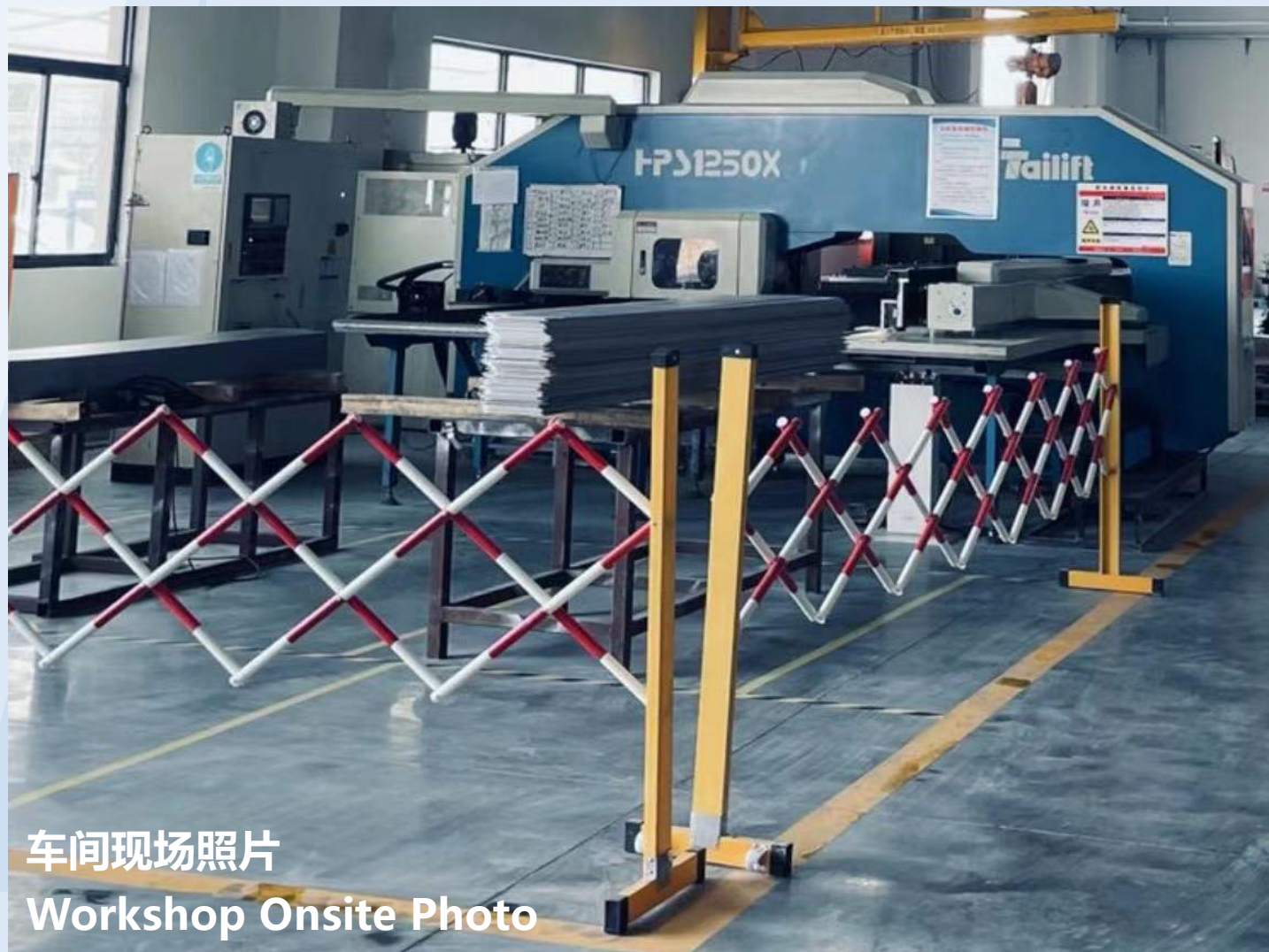
## 冲床/Punching Machine

2021年购入并投入使用1台塔式电脑冲床机。

A turret punching machine was bought and installed in 2021.

- 品牌/Brand - 台励福/Tailift
- 型号/Mode - H1250X
- 技术参数/Tehcnical Specifications - 如下/see below

项目	单位	HP1250
冲压吨数	公吨	30
X轴行程	mm	1250±10
Y轴行程	mm	1250±10
加工板件尺寸	mm	1250x2500
加工板件厚度	mm	6.35
工件重量...(1)	kg	110
X轴移动速度	米/分钟	75
Y轴移动速度	米/分钟	60
移动速度	米/分钟	96
冲孔速度...(2)	下/分钟	280
孔距25mm		
垂食速度...(3)	下/分钟	600



车间现场照片

Workshop Onsite Photo

## 数控折弯机/CNC Press Brake

2021年购入并投入使用3台数控折弯机。

3 press brarkes bought and installed in 2021.

- 品牌/Brand -深圳新兴田科技/NPL
- 型号/Mode - V-Bend 100/3100
- 技术参数/Tehcnical Specifications - 如下/see below

技术指标	单位	V-Bend 50/1050	V-Bend 80/2100	V-Bend 100/3100
折弯力	kN	500	800	1000
折弯长度	mm	1050	2100	3100
油缸行程	mm	200	200	250
开启高度	mm	500	500	550
侧板间距	mm	1100	2150	3150
X 轴行程	mm	300	500	500
X 轴精度	mm/s	0.05	0.05	0.05
X 轴最大速度	mm/s	400	400	400
R 轴行程	mm	100	100	100
R 轴最大速度	mm/s	100	100	100
R 轴精度	mm/s	0.05	0.05	0.05



车间现场照片

Workshop Onsite Photo



车间现场照片

Workshop Onsite Photo

### 焊接车间/Welding Workshop

2021年购入并投入各种专业焊接机。

A variety of professional welding tools were bought and used since 2021.

- 手持光纤焊接机/Hand held laser welder
- 平台电焊机/Electric welding platform
- 氩弧焊/ Argon protected welder
- 气保焊机/Cogas protective welder
- 螺柱焊机/Stud welder

## 生产设备 Production equipment



### 喷涂流水线/Spraying & Coating line

2022年购入并投入使用的喷涂流水线。

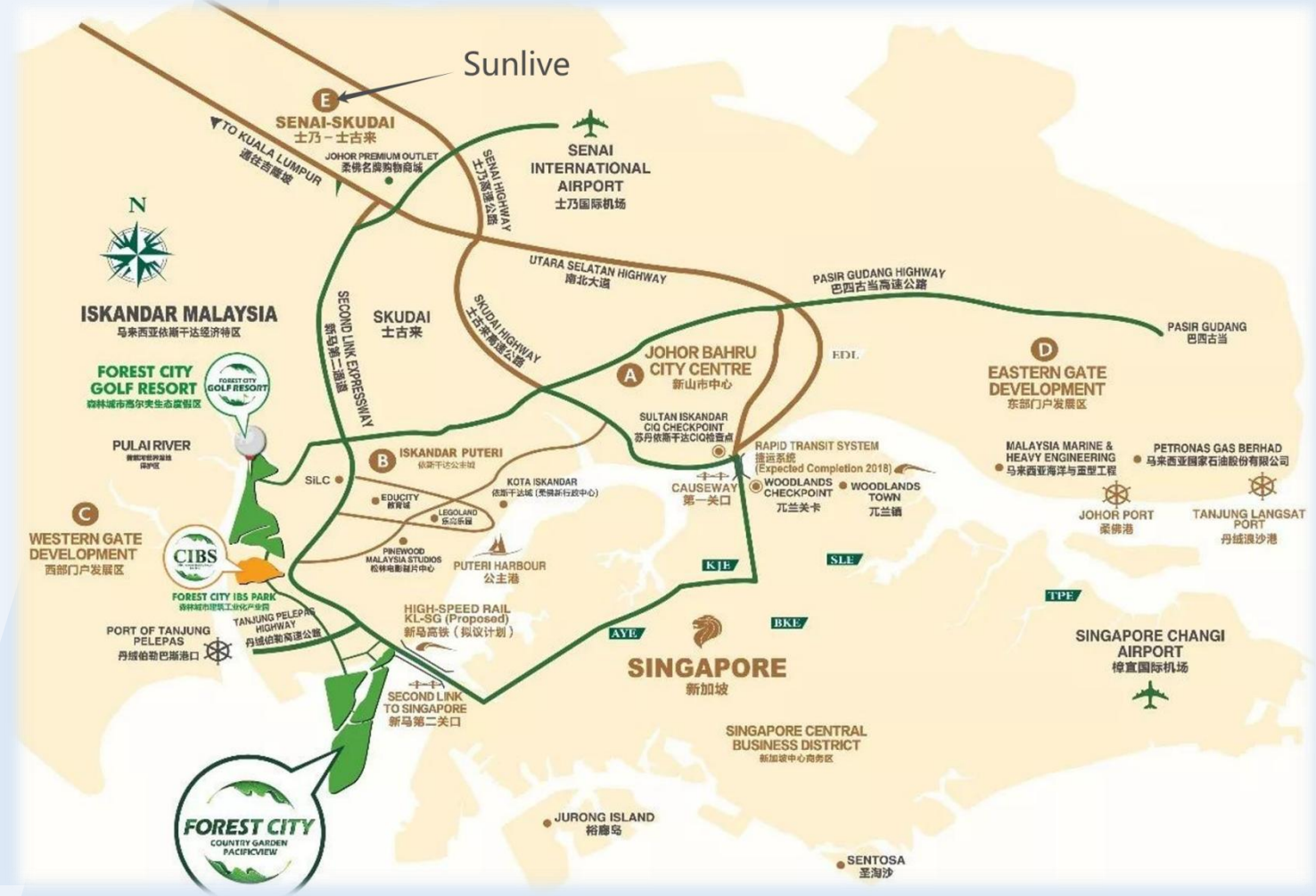
Spraying and coating assembly line installed in 2022.

# Company information

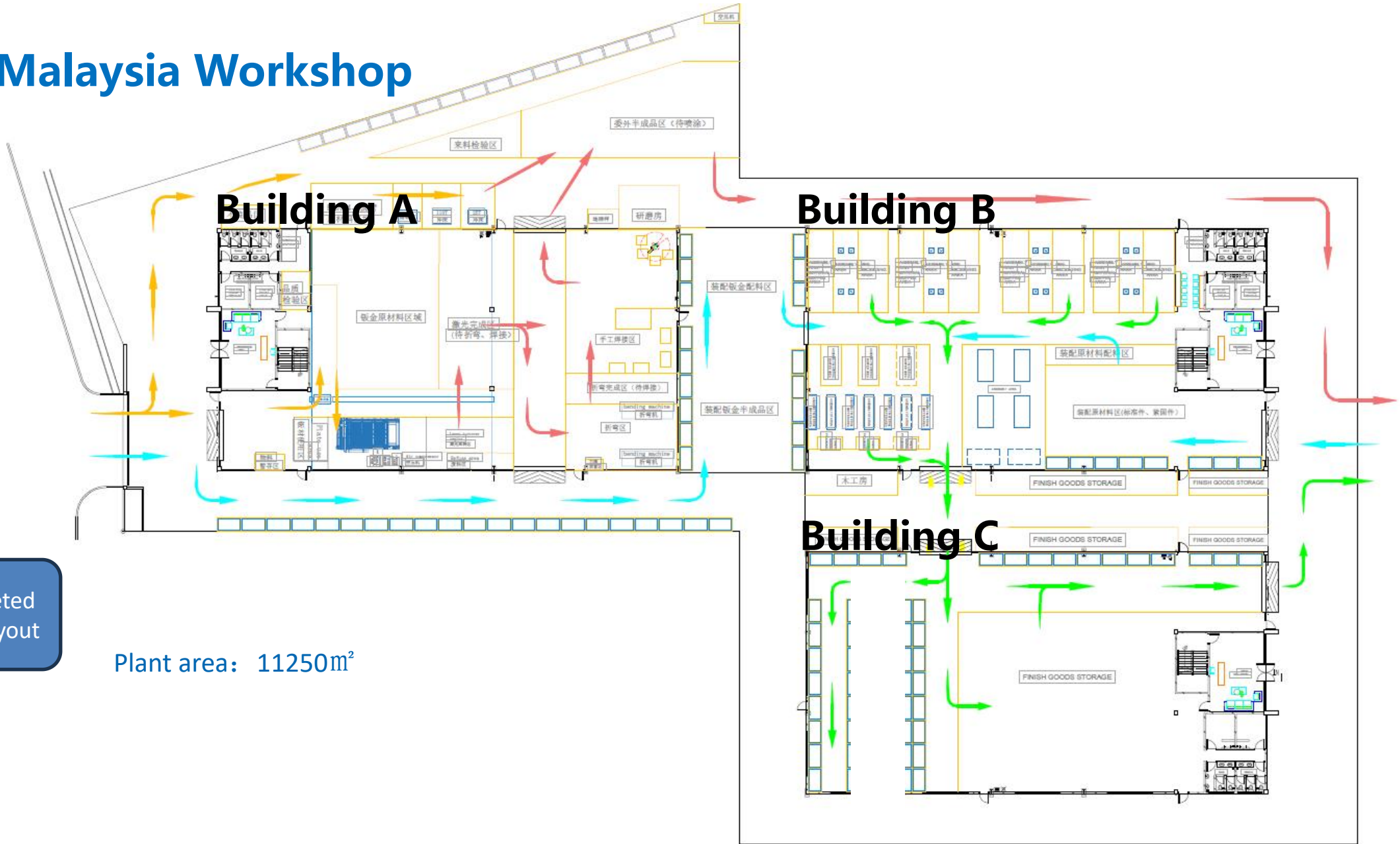
Sunlive Technology SDN.BHD is located in the KULAI, JOHOR, Malaysia. The main products are automation equipment and Sheet metal processing. Certifications of ISO being processed.

New factory is 5 km from Senai Airport, Johor Bahru .  
15 km from PTP Port. 70 km from Changi airport and  
12 km from Pulley supplier Core-teq.

- ◆ Factory area:11250m<sup>2</sup>
- ◆ Employee: 53 people



# Malaysia Workshop



Completed  
plant layout

Plant area: 11250m<sup>2</sup>



布局图

# Malaysia Workshop



# Malaysia Equipment



laser cutting machine  
2 sets



Bending machine  
3 sets



gas welding machine  
4 sets



argon welder  
1 set



welding robot  
1 set



punching machine  
2 sets



PART 02

---

# 业务介绍

Business Introduction



### 设备制造

#### Equipment manufacture

- 物流分拣和运输 Automatic logistics equipment
- 食品机械系列 Food machinery series
- 自动配钥匙机系列 Automatic key matching machine series

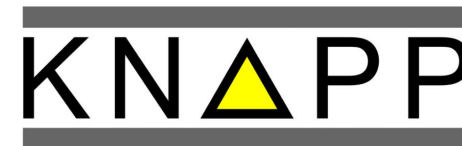
## 物流自动化设备 Logistics automation equipment

目前公司已为世界知名企业(如Adidas、Fedex、Lego、JD、DHL、Amazon等)以及各机场提供设备和安装服务。如上海虹桥机场、上海浦东机场、青岛机场、深圳宝安机场、成都双流机场、北京大兴机场、浦东机场等。

At present, the company has provided equipment and installation services for world famous enterprises (such as Adidas, Fedex, Lego, JD, DHL, Amazon, etc.) and airports Such as Shanghai Hongqiao Airport, Shanghai Pudong Airport, Qingdao Airport, Shenzhen Baoan Airport, Chengdu Shuangliu Airport, Beijing Daxing Airport, Shanghai Pudong Airport etc.



# 合作客户 Cooperative Clients



## 物流自动化设备历年项目情况 Overview for project

**2009年：**上海虹桥机场T2航站楼输送线、转盘

Conveyor and carousel of T2 terminal building of Shanghai Hongqiao Airport.

**2012-2014年：**深圳宝安机场T3航站楼输送线、转盘；成都机场T2航站楼输送线、转盘；Australia Post 输送线

Conveyor and carousel of T3 terminal of Shenzhen Bao'an Airport. Conveyor and carousel of Chengdu Airport Terminal T2. Conveyor line of Australia Post.

**2015年：**Fedex 输送线

Conveyor of Fedex Shanghai.

**2016年：**青岛机场转盘，安踏泉州、Adidas 苏州、Amazon项目供输送线、滑槽等

Qingdao Airport Turntable; Anta Quanzhou, Adidas Suzhou, Amazon project to provide conveyors, chutes , etc.

**2017年：**陕西医药、武汉烟草项目供应输送线

Supply conveyor of Sino Pharm Shanxi and Wuhan Tobacco .

**2018年：**北京大兴机场分拣设备，京东（杭州、成都武汉） Sportmaster项目供应输送机

Beijing Airport Sorting Equipment. Supply conveyor Equipment for JD (Chengdu, Hangzhou, Wuhan) and Sportmaster.

**2019年：**智贸通输送设备，京东（杭州、成都）项目现场安装及驻厂

Supply conveyor Equipment for Smarten Shanghai. Supply the installation service for JD Hangzhou and Chengdu.

**2020年：**上海浦东机场T1航站楼输送线、转盘和杀菌装置

Conveyor, carousel and sterilizer of T1 terminal building of Shanghai Pudong Airport.

**2021年：**Amazon输送机，SF鄂州机场分拣机和输送机，DHL 香港和仁川的分拣机和输送机，FEDEX 仁川的分拣机和输送机，苏州 AdidasX 分拣机安装、双层滑槽及安装，宁波太平鸟双层滑槽及安装，太仓宝洁滚筒线，太仓Puma滑槽安装

Conveyor for Amazon. Conveyor and sorter for SF Mega Hub and FEDEX, DHL. Double chute for Adidas X and Puma, Peace bird. Field installation for Peace bird, adidas X, Puma.

**2022年：**Amazon QCB4 QCB5 SCY6项目输送机，Woolworths项目输送机

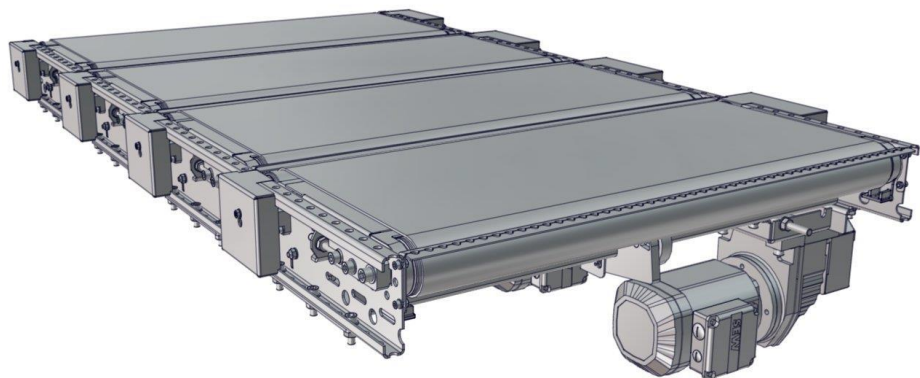
Supply conveyor Equipment for Amazon QCB4 QCB5 SCY6 and Woolworths.

**2023年：**Sportmaster项目输送机，DHL Adelaide项目输送机，Asics Australia项目输送机

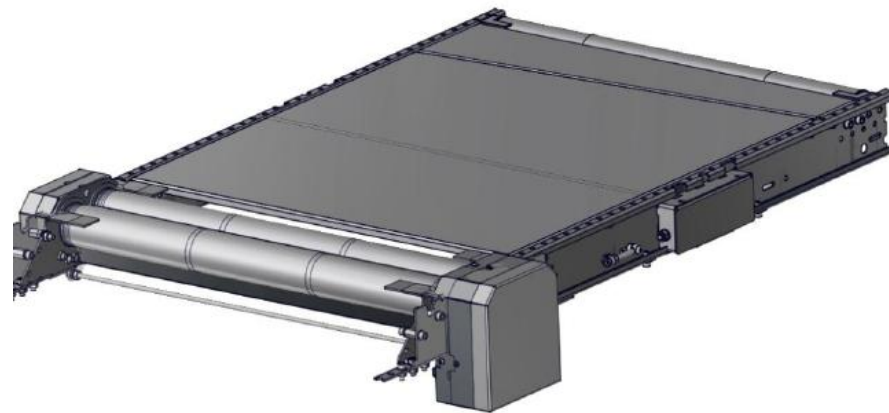
Supply conveyor Equipment for Sportmaster, DHL Adelaide, Asics Australia .

# 皮带输送机

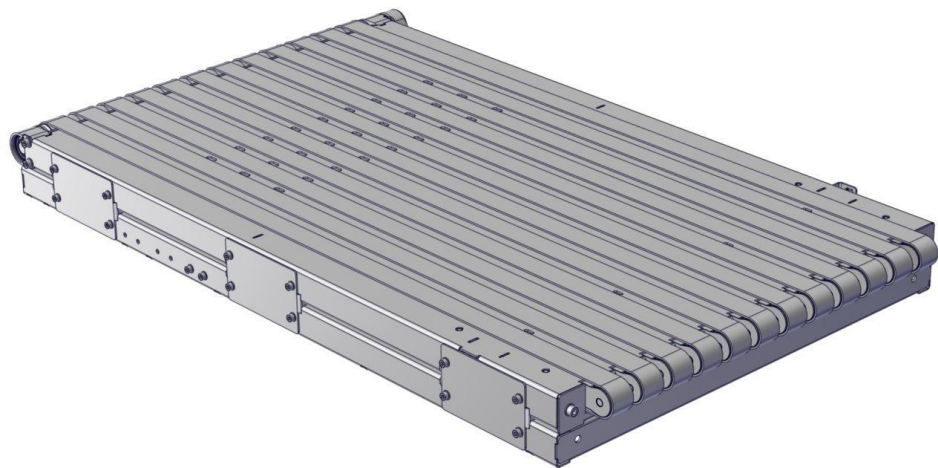
# Belt conveyor



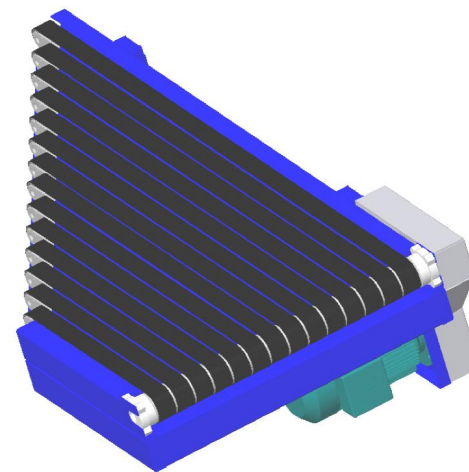
Belt conveyor



Power turnover belt



Multibelt conveyor



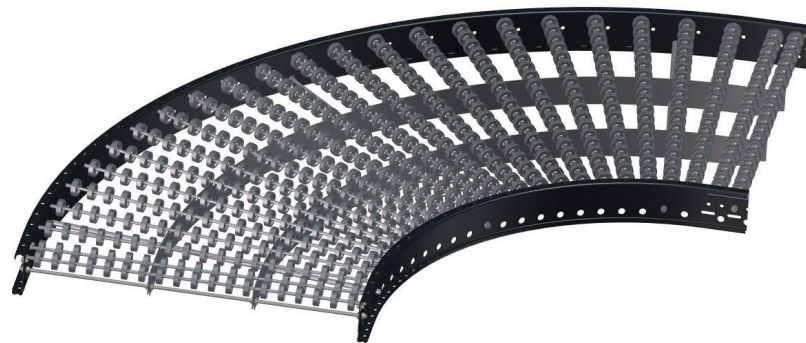
Multibelt Junction

# 滚筒输送机

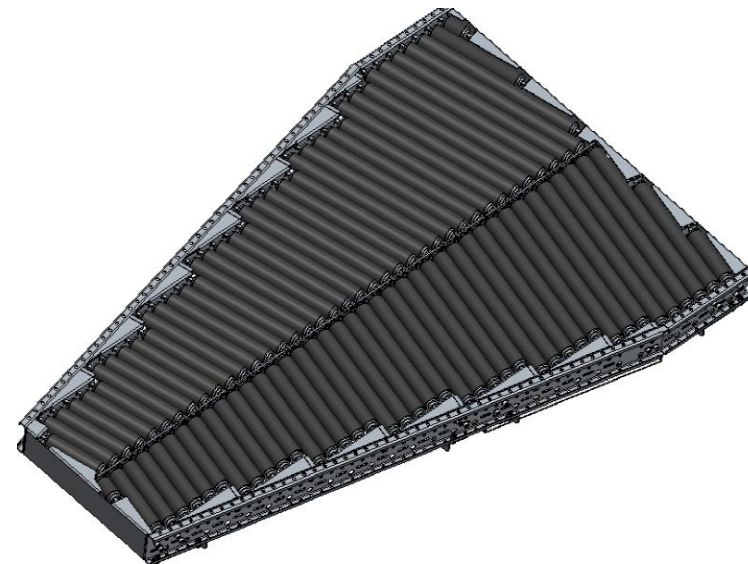
# Roll conveyor



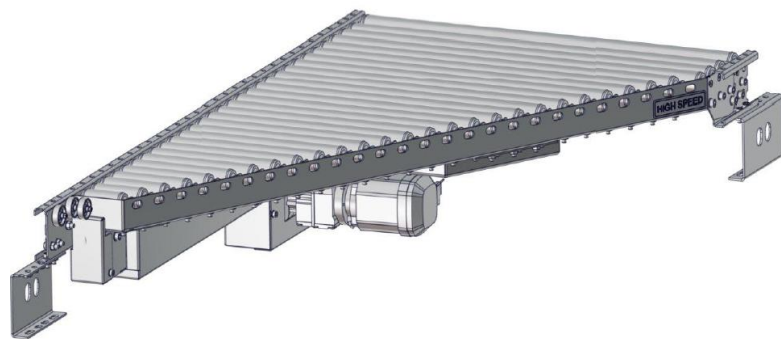
Driven roller curve



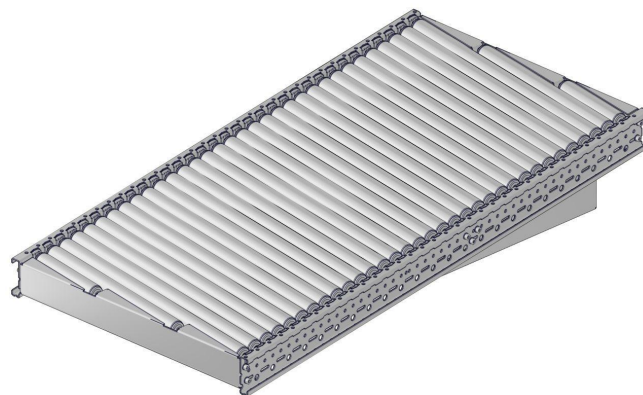
Gravity wheel curve



Rollermerge



Driven roller Junction



Skewed roller

## 其他设备

## Other equipment



Cross sorter



Double chute



Twin belt conveyor

## 成功案例 Project Reference



DHL HK——Conveyor, Chute and sorter production and site installation.

## 成功案例 Project Reference



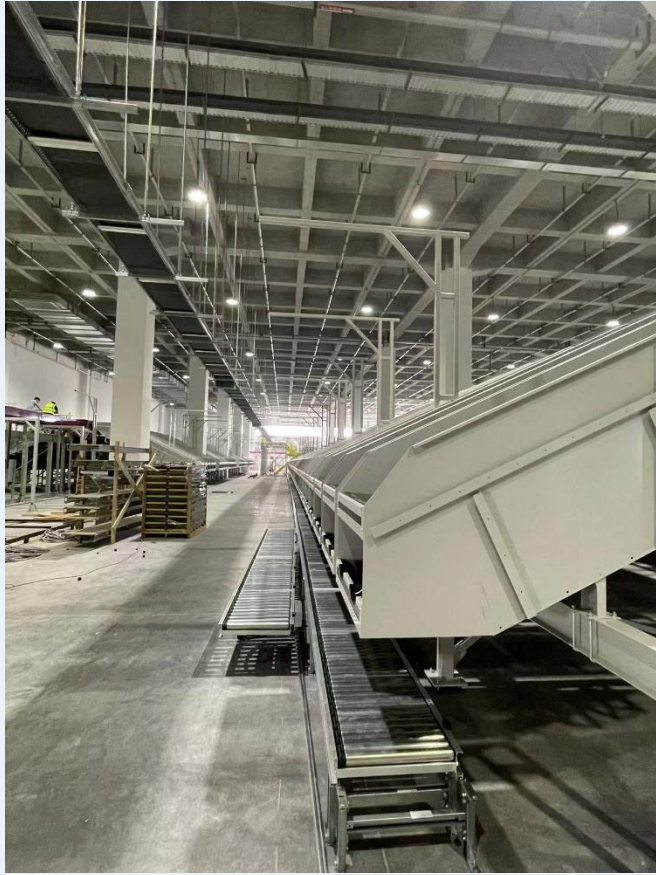
Fedex PVG——Conveyor, Chute and sorter production.

## 成功案例 Project Reference



Adidas X Suzhou—— Double chute production and site installation.

## 成功案例 Project Reference



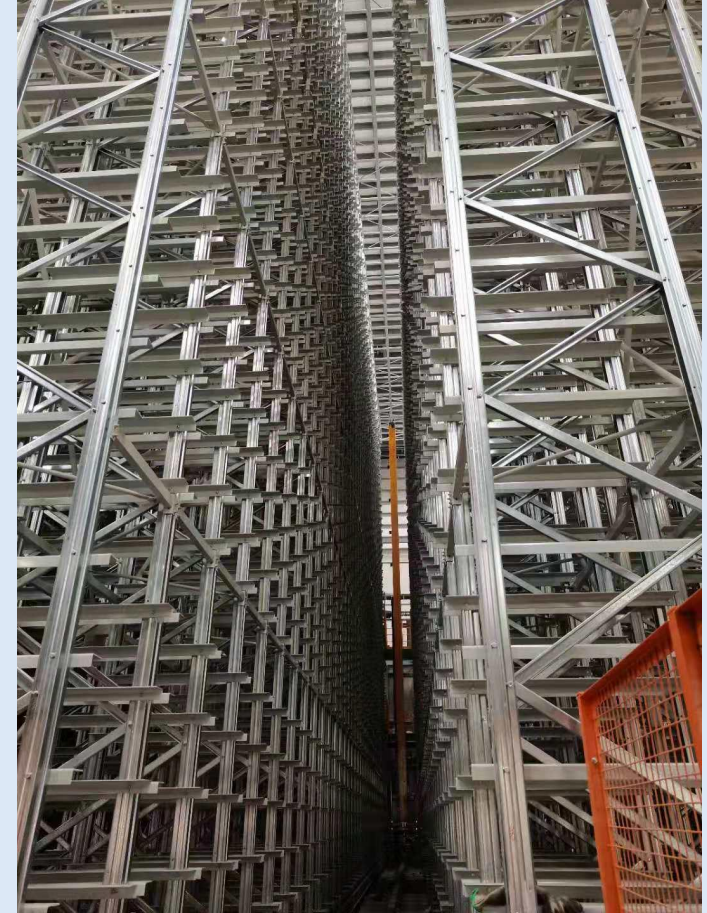
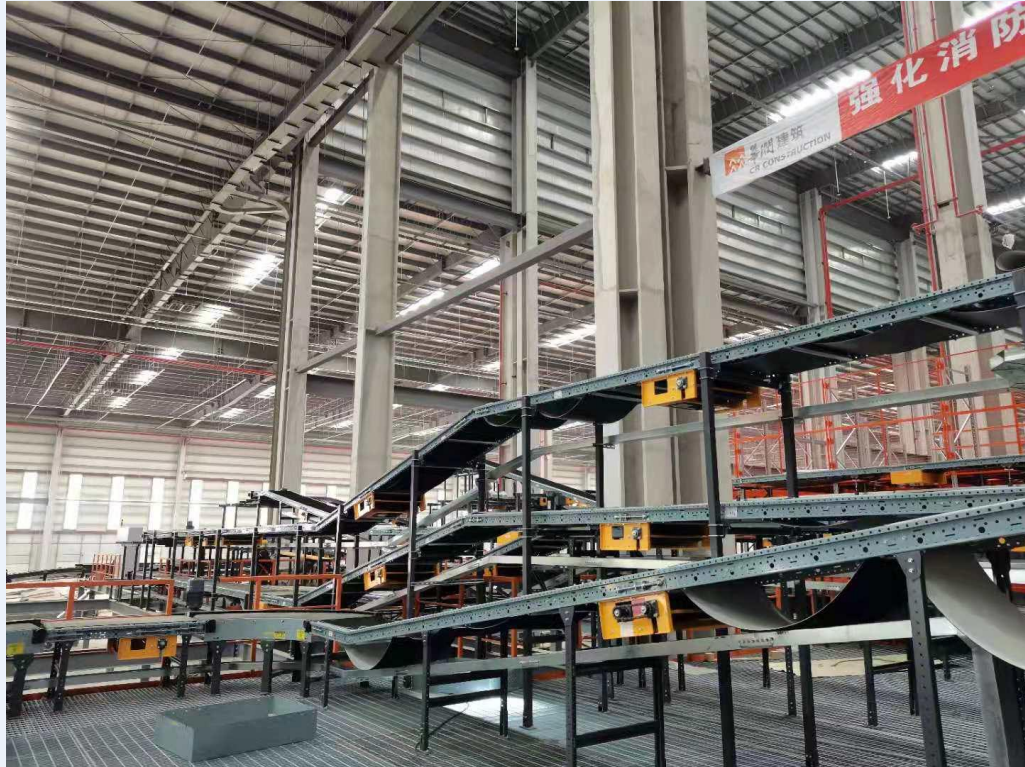
Puma Taicang—— Double chute production and site installation.

## 成功案例 Project Reference



Liangpin Wuhan——Chute production and site installation, installation of sorter.

## 成功案例 Project Reference



Vanguard Dongguan——Conveyor and sorter production and site installation, installation of hoist.

## 成功案例 Project Reference



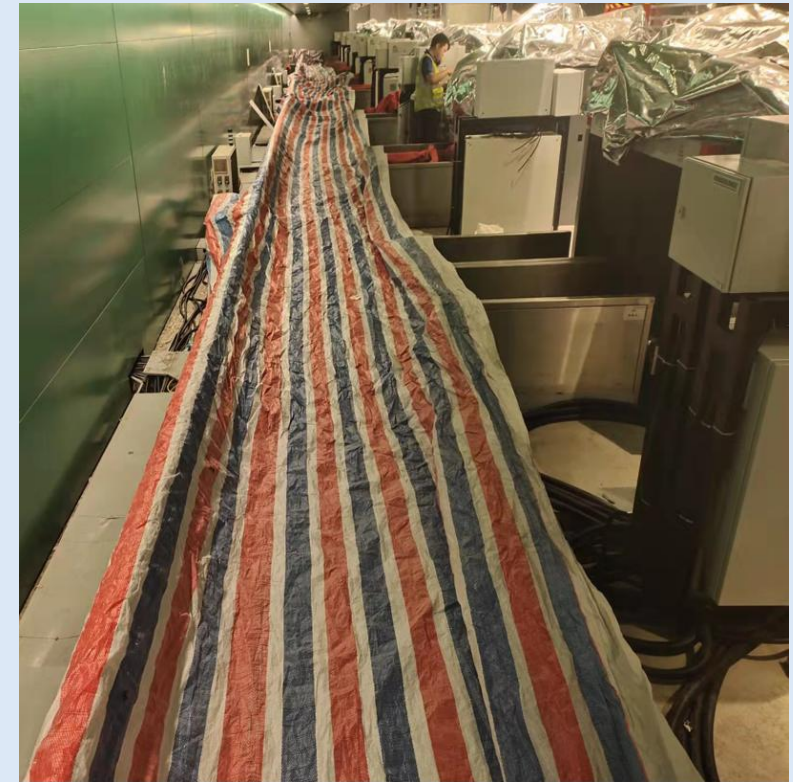
JD Chengdu, Wuhan, Hangzhou——Conveyor and sorter production and site installation.

## 成功案例 Project Reference



AIZHI Guangzhou-Automatic Storage & Retrieval System

## 成功案例 Project Reference



Shanghai Hongqiao Airport—— Installation of Conveyor

## 成功案例 Project Reference



Shanghai Pudong Airport—— Installation of Conveyor

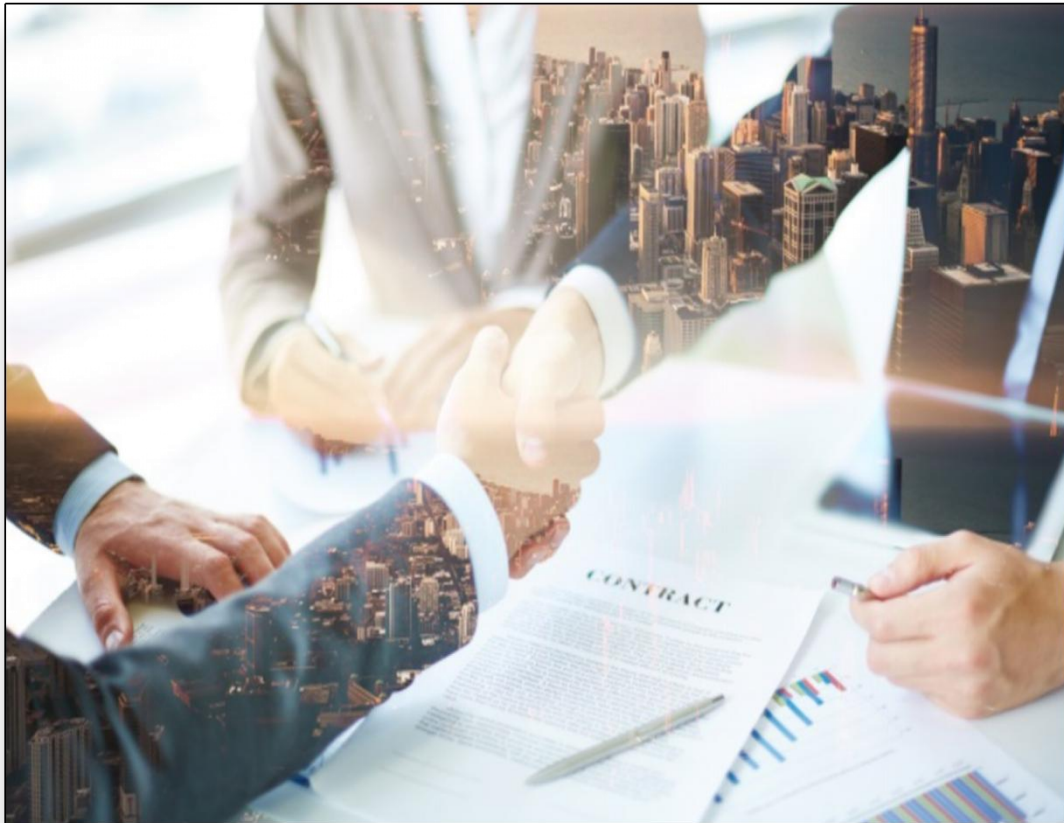



## 成功案例 Project Reference




Shanghai Pudong Airport——— Circuit Test for Conveyor

## 联系我们 Contact Us




 No.5796, Huyi Road, WaiGang Town JiaDing  
ShangHai,PRC201806

---

 +86-021-59543330

---

 +086-19521372074

---

 [info@jkconveyorsystems.com](mailto:info@jkconveyorsystems.com)

---

 [www.jkconveyorsystems.com](http://www.jkconveyorsystems.com)

谢谢观看

THANKS WATCHING